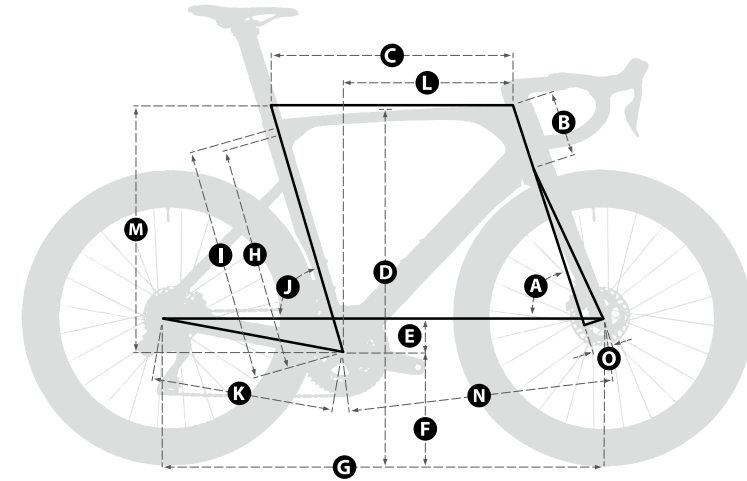


DIVINUS

ACOL



FRAME WEIGHT 1,035 g [M Size, Raw frame without removable Parts]
CARBON GRADE WINACT-G1 CARBON
CHARACTERISTIC Aero

GROUPSET		Shimano Ultegra Di2
BREAKS	Front Brake	Shimano Ultegra BR-R8170
	Rear Brake	Shimano Ultegra BR-R8170
	Rotor	Shimano SM-MT800 140mm
DRIVETRAIN	Shift Levers	Shimano Ultegra ST-R8170
	Front Derailleur	Shimano Ultegra FD-R8150
	Rear Derailleur	Shimano Ultegra RD-R8150
	Cassette	Shimano Ultegra CS-R8100 11-30t
	Chain	Shimano Ultegra CN-M8100
	Crankset*	Shimano Ultegra FC-R8100
	Chainrings	50-34T
WHEEL & TIRE	Bottom Bracket	Shimano Ultegra Pressfit 71-41B
	Front Wheel	Fulcrum Racing 800
	Rear Wheel	Fulcrum Racing 800
	Front Tire	Schwalbe pro one 28
	Rear Tire	Schwalbe pro one 28
COCKPIT	Handlebar	Ritchey Comp Alloy
	Stem	FSA SMR
OTHER PARTS	Saddle	San Marco CFX
	Seatpost	DIVINUS SP Offset 25mm/ 0mm

GEOMETRY

	XXS	XS	S	M	L	XL
A. Head Tube Angle	71°	72°	72.5°	73°	73.5°	73.5°
B. Head Tube Length	97	101	115	130	150	178
C. Top Tube Length [Horizontal]	500	516	534	548	565	578
D. Standover Height	735	755	771	789	812	848
E. Bottom Bracket Drop	72	72	72	70	70	70
F. Bottom Bracket Height	263	263	263	265	265	265
G. Wheelbase	968	974	978	981	993	1006
H. Seat Tube Length [B-B Centre to Centre]	453	480	497	512	537	564
I. Seat Tube Length [B-B Centre to Top]	465	491	509	525	550	578
J. Seat Tube Angle	75°	75°	74°	73.5°	73.5°	73.5°
K. Chainstay Length	410	410	410	410	410	410
L. Reach	368	380	384	389	400	405
M. Stack	500	507	522	537	558	585
N. Front-Centre	568	574	578	581	593	606
O. Fork Offset	46	46	46	43	43	43

COMPONENT COMPATIBILITY

Components	Compatible Sizes
Upper Headset Bearing	51.8mm OD x 40.0mm ID x 8mm X 45°
Lower Headset Bearing	51.8mm OD x 40.0mm ID x 8mm X 45°
Front Thru-Axle	12 x 100
Rear Thru-Axle	12 x 142
Rear Dropout Hanger	R10
Min/Max Chainring	34-42t / 48-55t
Min/Max Front and Rear Rotor	140mm / 160mm
Max Tire	700c x 32mm

* Crank Length : XXS 165mm / XS 170mm / S 170mm / M 172.5mm / L 172.5mm / XL 175mm