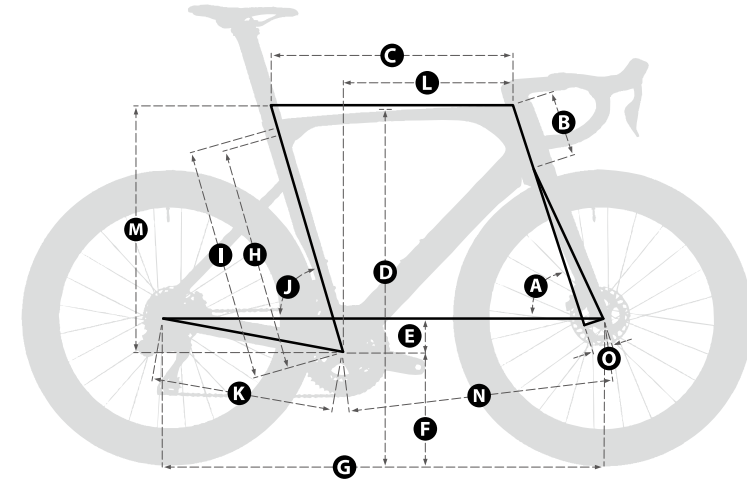
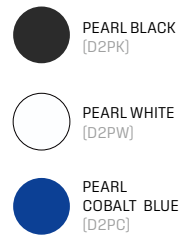


DIVINUS

ACOL



FRAME WEIGHT 1,035 g (M Size, Raw frame without removable Parts)
CARBON GRADE WINACT-G1 CARBON
CHARACTERISTIC Aero

GROUPSET	Shimano 105
BREAKS	Front Brake Shimano 105 BR-7170
	Rear Brake Shimano 105 BR-7170
	Rotor Shimano SM-RT70 140mm/160mm
DRIVETRAIN	Shift Levers Shimano 105 ST-R7120
	Front Derailleur Shimano 105 FD-R7100
	Rear Derailleur Shimano 105 RD-R7100
	Cassette Shimano 105 CS-R7100 11-34T
	Chain Shimano 105 CN-M7100
	Crankset* Shimano 105 FC-R7100
	Chainrings 50-34T
WHEEL & TIRE	Bottom Bracket Shimano 105 Pressfit RS500
	Front Wheel Fulcrum Racing 800
	Rear Wheel Fulcrum Racing 800
	Front Tire Schwalbe pro one 28
	Rear Tire Schwalbe pro one 28
COCKPIT	Handlebar Ritchey Comp Alloy
	Stem FSA SMR
OTHER PARTS	Saddle San Marco shortfit Dynamic Open wide
	Seatpost DIVINUS SP Offset 25mm/ 0mm

GEOMETRY

	XXS	XS	S	M	L	XL
A. Head Tube Angle	71°	72°	72.5°	73°	73.5°	73.5°
B. Head Tube Length	97	101	115	130	150	178
C. Top Tube Length [Horizontal]	500	516	534	548	565	578
D. Standover Height	735	755	771	789	812	848
E. Bottom Bracket Drop	72	72	72	70	70	70
F. Bottom Bracket Height	263	263	263	265	265	265
G. Wheelbase	968	974	978	981	993	1006
H. Seat Tube Length [B-B Centre to Centre]	453	480	497	512	537	564
I. Seat Tube Length [B-B Centre to Top]	465	491	509	525	550	578
J. Seat Tube Angle	75°	75°	74°	73.5°	73.5°	73.5°
K. Chainstay Length	410	410	410	410	410	410
L. Reach	368	380	384	389	400	405
M. Stack	500	507	522	537	558	585
N. Front-Centre	568	574	578	581	593	606
O. Fork Offset	46	46	46	43	43	43

COMPONENT COMPATIBILITY

Components	Compatible Sizes
Upper Headset Bearing	51.8mm OD x 40.0mm ID x 8mm X 45°
Lower Headset Bearing	51.8mm OD x 40.0mm ID x 8mm X 45°
Front Thru-Axle	12 x 100
Rear Thru-Axle	12 x 142
Rear Dropout Hanger	R10
Min/Max Chainring	34-42t / 48-55t
Min/Max Front and Rear Rotor	140mm / 160mm
Max Tire	700c x 32mm

* Crank Length : XXS 165mm / XS 170mm / S 170mm / M 172.5mm / L 172.5mm / XL 175mm